

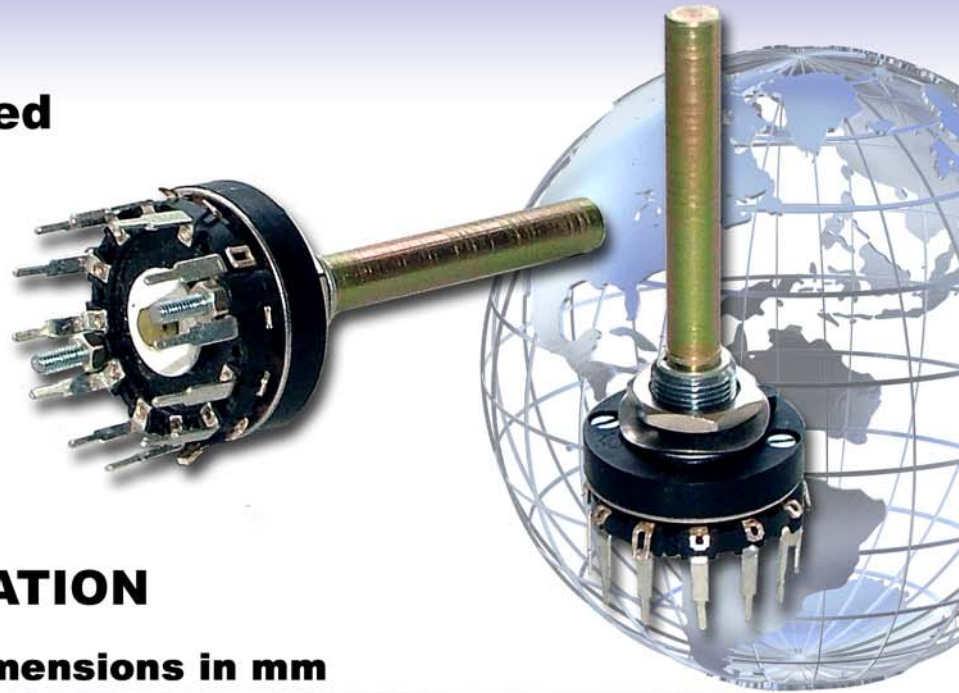
ROTARY SWITCHES

TYPE DK

10 or 12 position clipped wafer rotary switch

FEATURES

- Balanced positive indexing
- 100% electrically tested
- Wide operating temperature range
- Dual concentric assemblies
- Numerous switching arrangements



TECHNICAL SPECIFICATION

Electrical Specifications

- Contact Rating:- Switching** 15VA dc. 25VA ac. (1A max) resistive
- Continuous** 2A
- Proof Voltage (for 1 min.)** 1000V peak
- Insulation Resistance** 1000MΩ min
- Contact resistance (at terminals)** 10mΩ max initially measured at 100mV, 100mA.
- Endurance** 10,000 cycles at upper temp category (85°) & VA rating
- Switching** Standard or special

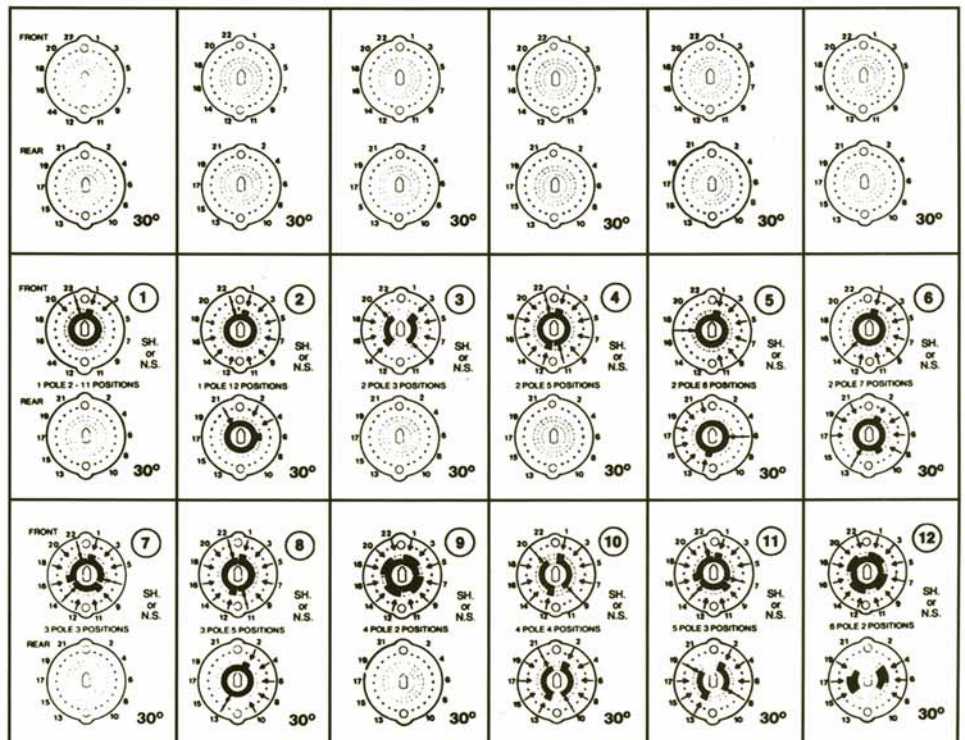
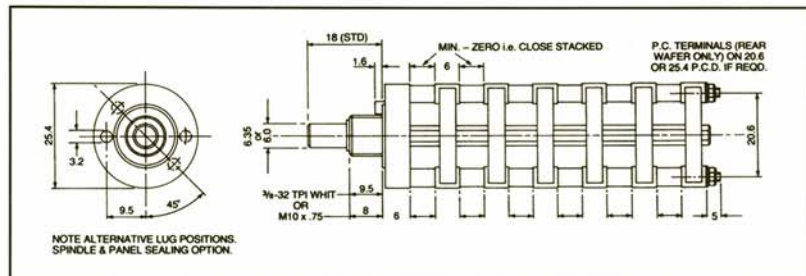
Mechanical Specifications

- Temperature Range** -40°C/+85°C
- Operating Torque** .12/.18Nm or light .07/.14
- End Stop Strength** 1.13Nm
- Sealing** Spindle & panel seal option max. leakage 1ml/hour.
- Terminals indexing** Solder lug or PC tag
Balanced & positive from diametrically opposed rollers
- Mounting Spindle** M10 or 3/8 32 tpi bush
M6 or 1/4 dia.

Materials and Finishes

- Spindle** Mild steel electroplated
- Mounting Bush** Brass electroplated
- Index Body** Glass filled nylon 66
- Stator** DAP
- Contacts** Hard brass, silver plated or gold flash as an option

Dimensions in mm



Wessex Advanced Switching Products Ltd
 Alexandria Park, Penner Road Havant,
 Hants PO9 1QY, UK
 Tel: +44 (0)239 245 7000
 Fax: +44 (0) 239 247 3918
 email: sales@wasp-ltd.co.uk
 www.waspswitches.co.uk

